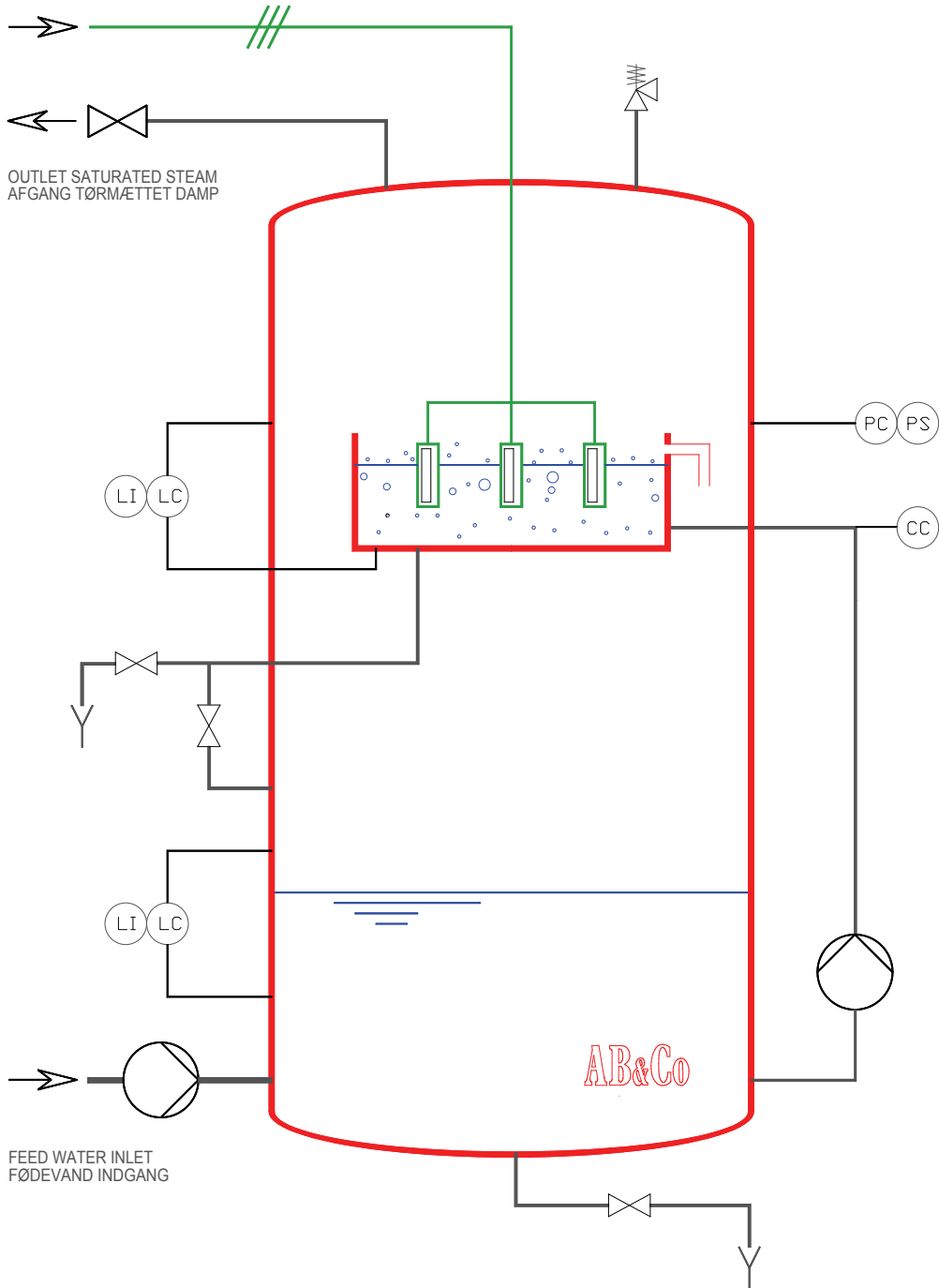


HIGH VOLTAGE SUPPLY 3-PHASE
HØJSPÆNDINGSFORSYNING 3-FASET



<https://www.abco.dk/English/CustomisedBoiler/ElectricSteamBoiler>

AB&Co

Copenhagen, Denmark

SUBJECT/THEMA:

ELECTRODE STEAM BOILER

Type L-EDH

ABCO REF. NO.:

PI

DRWG.:

PI-L-EDH

PROJECT/PROJEKT:

ZERO NOX PROJECTS

DATE/DATD:

16/7-06

SIGN.:

AB

CLIENT/KLIENT:

EU CLIENTS